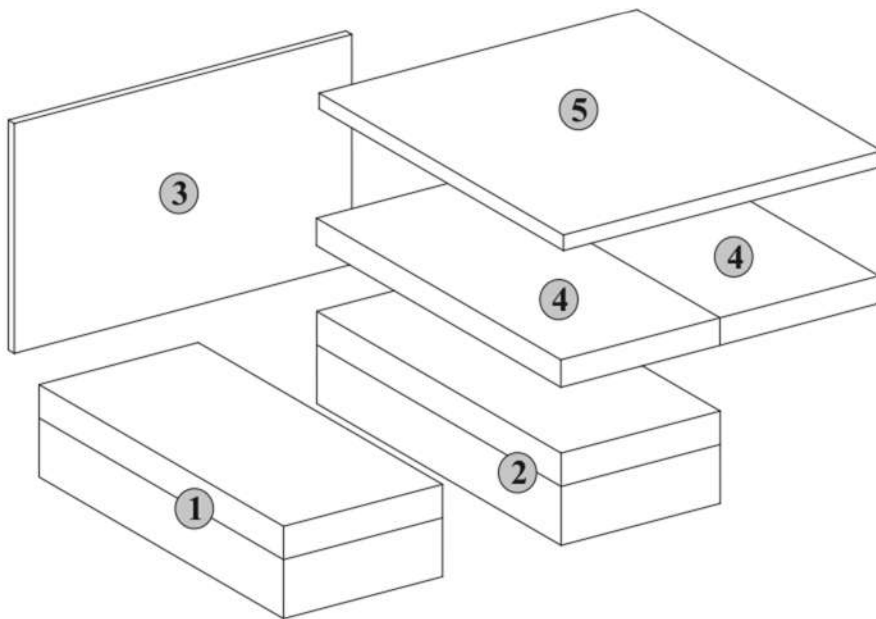
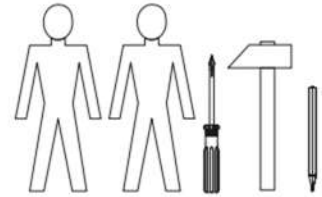
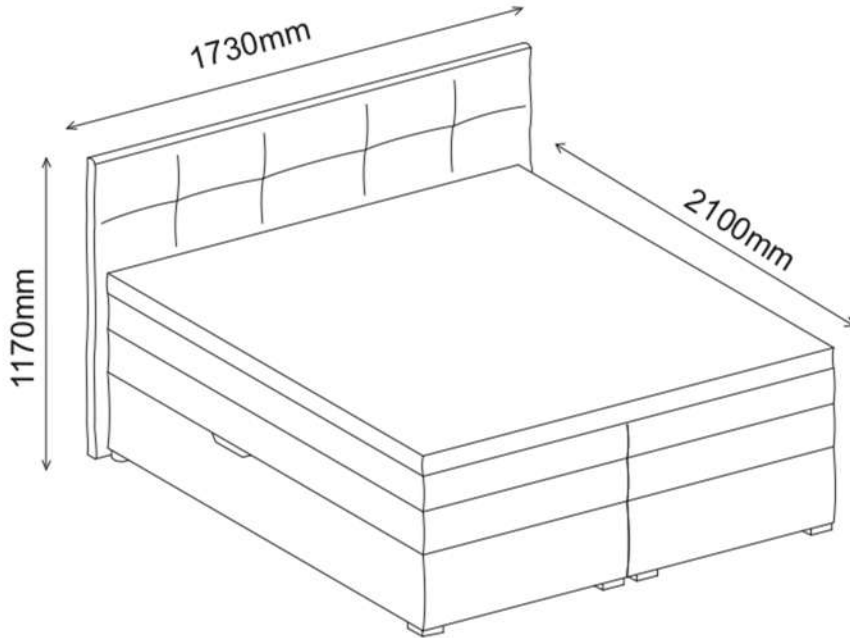
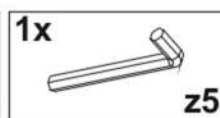
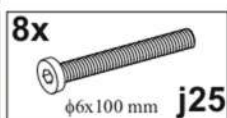
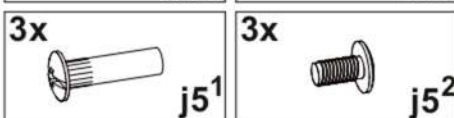
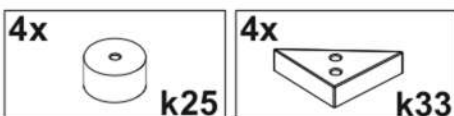


APRIL 160



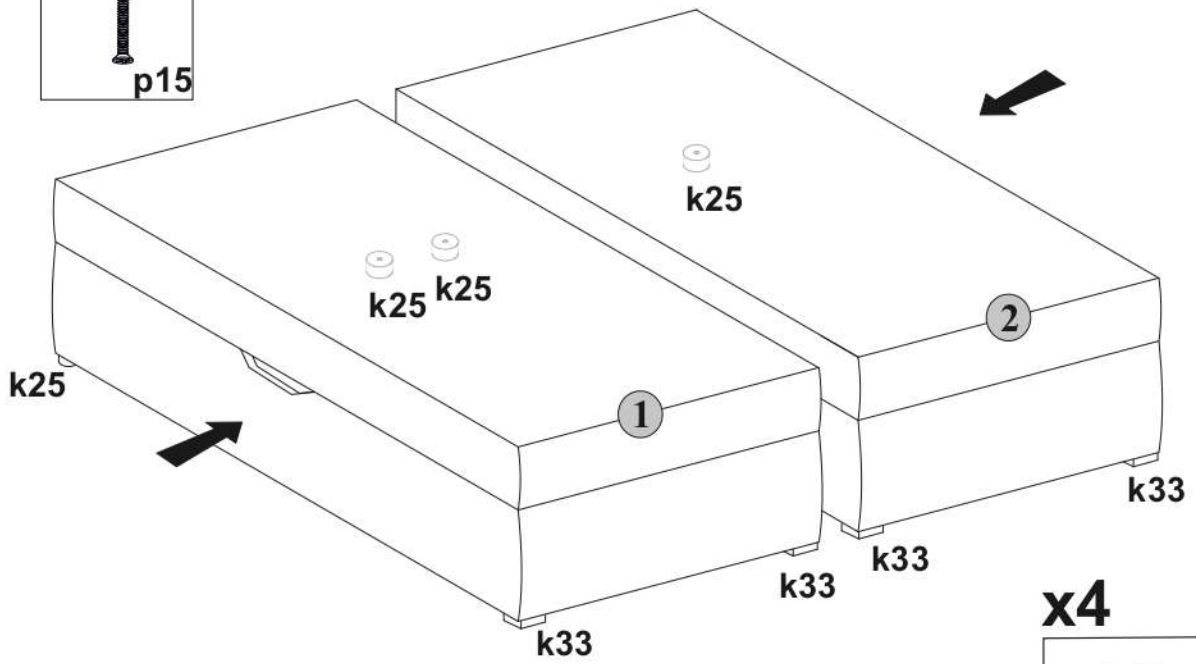
1	2000	800	420	x1	1/5
2	2000	800	420	x1	2/5
3	2000	800	170	x2	3/5
4	1730	1170	100	x1	4/5
5	2000	1600	80	x1	5/5



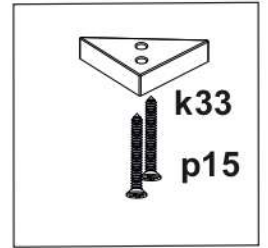
1



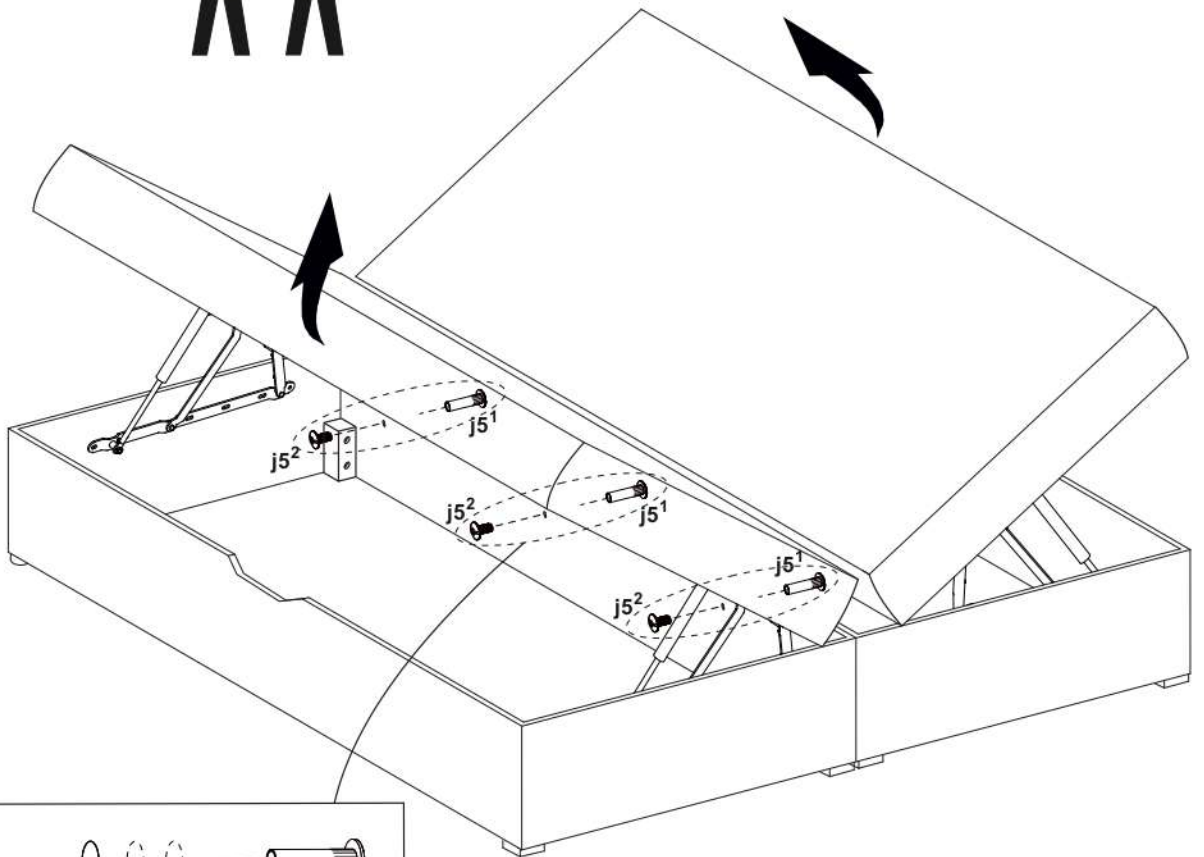
x4



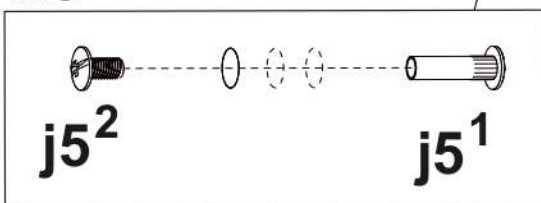
x4



2

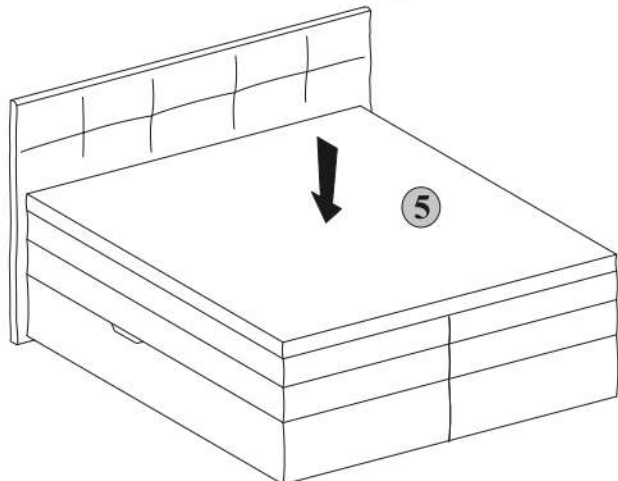
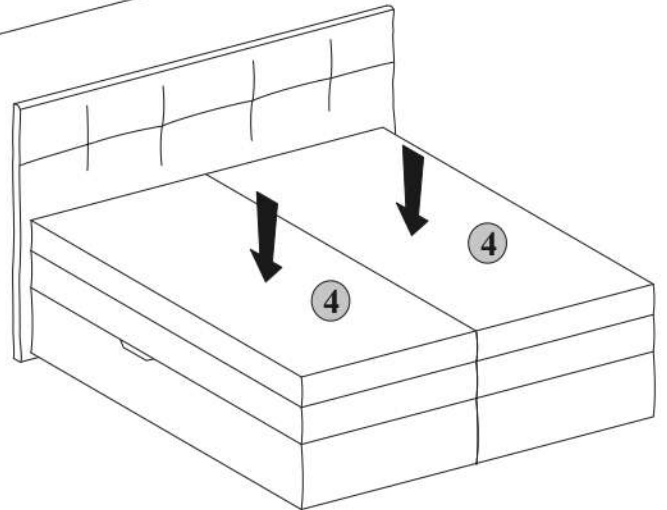
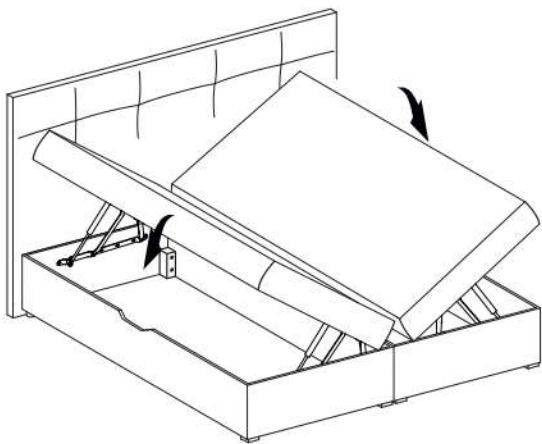
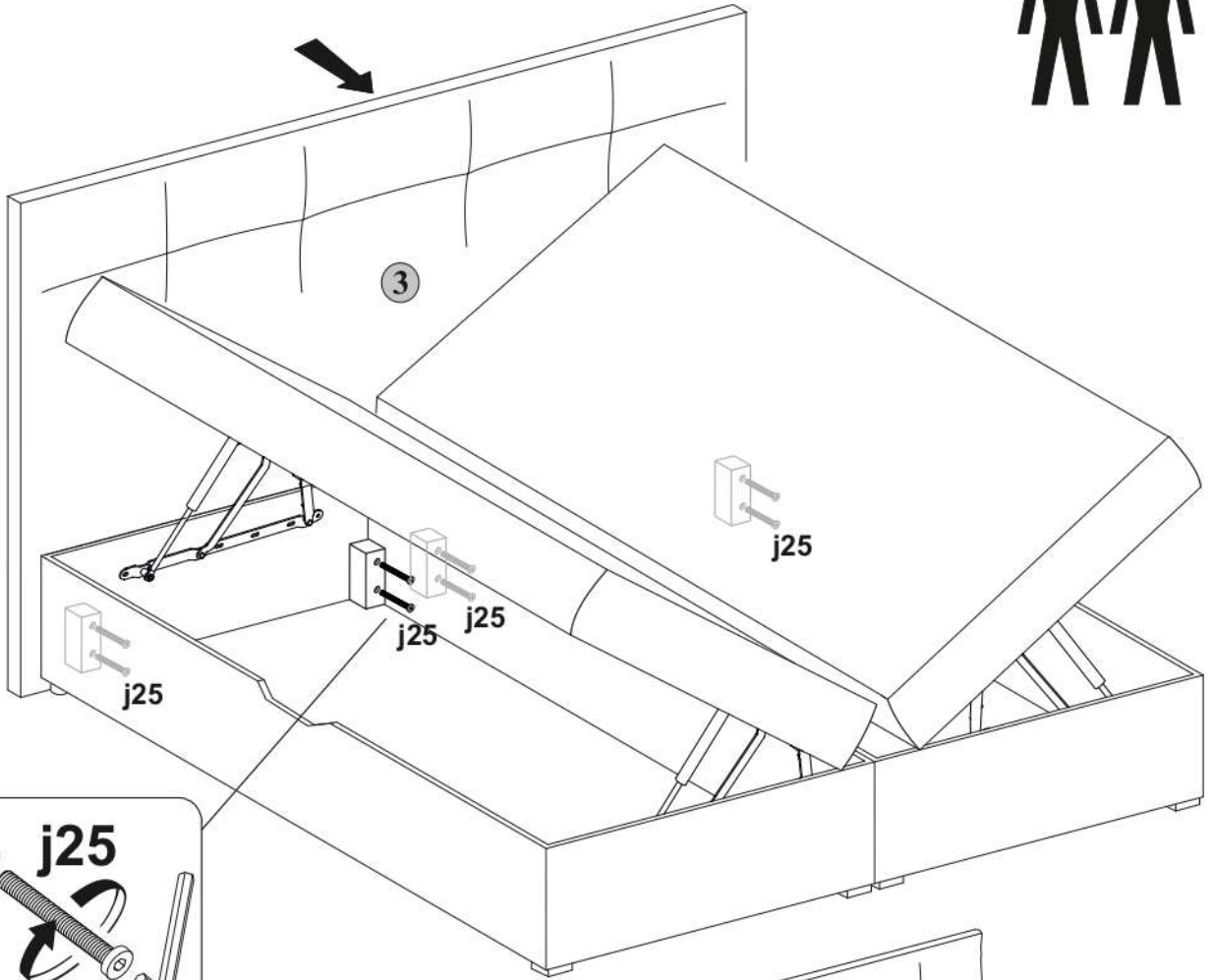


x3



2

3



3